

SONY

Car Stereo Service Bulletin

Sony Service Company · Technical Services
A Division of Sony Corporation of America
Sony Drive · Park Ridge · New Jersey 07656

Model: CDX-A100

No. 279

Subject: Part Number Correction - Reference No. 27,
Screw, +M 5 x 6

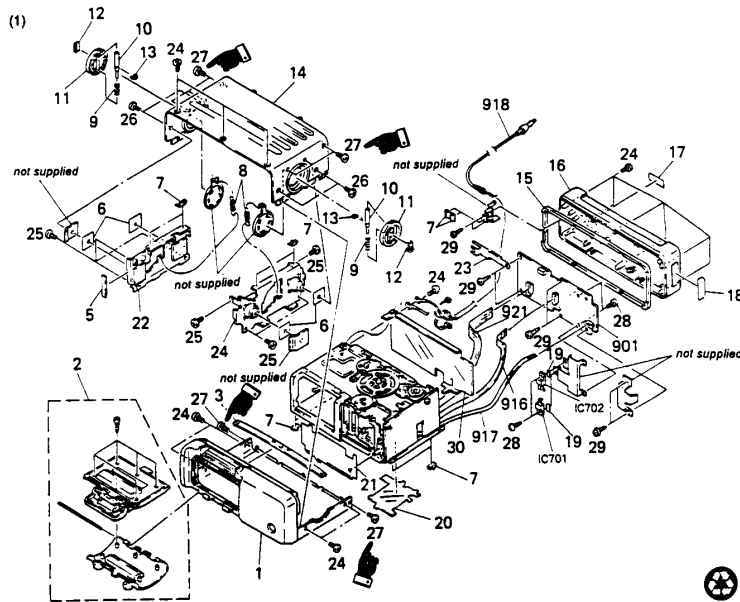
Date: April 19, 1993

Symptom:

(**) The part number listed on page 34 of the Service Manual for Ref # 27, screw, +m 5 x 6, is incorrect.

Solution: Please note the correct part number as shown below.

REF	DESCRIPTION	PART NUMBER	
		INCORRECT	CORRECT
27	SCREW, +M 5 X 6	3-357-058-01	3-359-058-01



Reference: FPR-01052
Autotagged - NO

PRINTED ON RECYCLED PAPER
PRINTED IN U.S.A.
CSA-14493-1

CSA-14 CD Player